

PRODUCT INFORMATION PACKET

marathon[®]
Motors

Model No: 215TTDW4078

Catalog No: E935

5 HP General Purpose Motor, 3 phase, 1200 RPM, 200 V, 215T Frame, ODP
Three Phase ODP Motors



Regal and Marathon are trademarks of Regal Beloit Corporation or one of its affiliated companies.
©2019 Regal Beloit Corporation, All Rights Reserved. MC017097E

REGAL



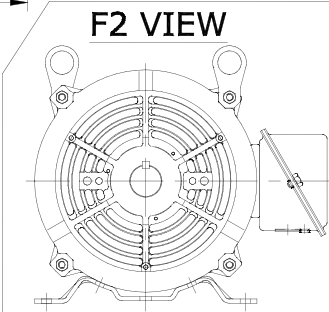
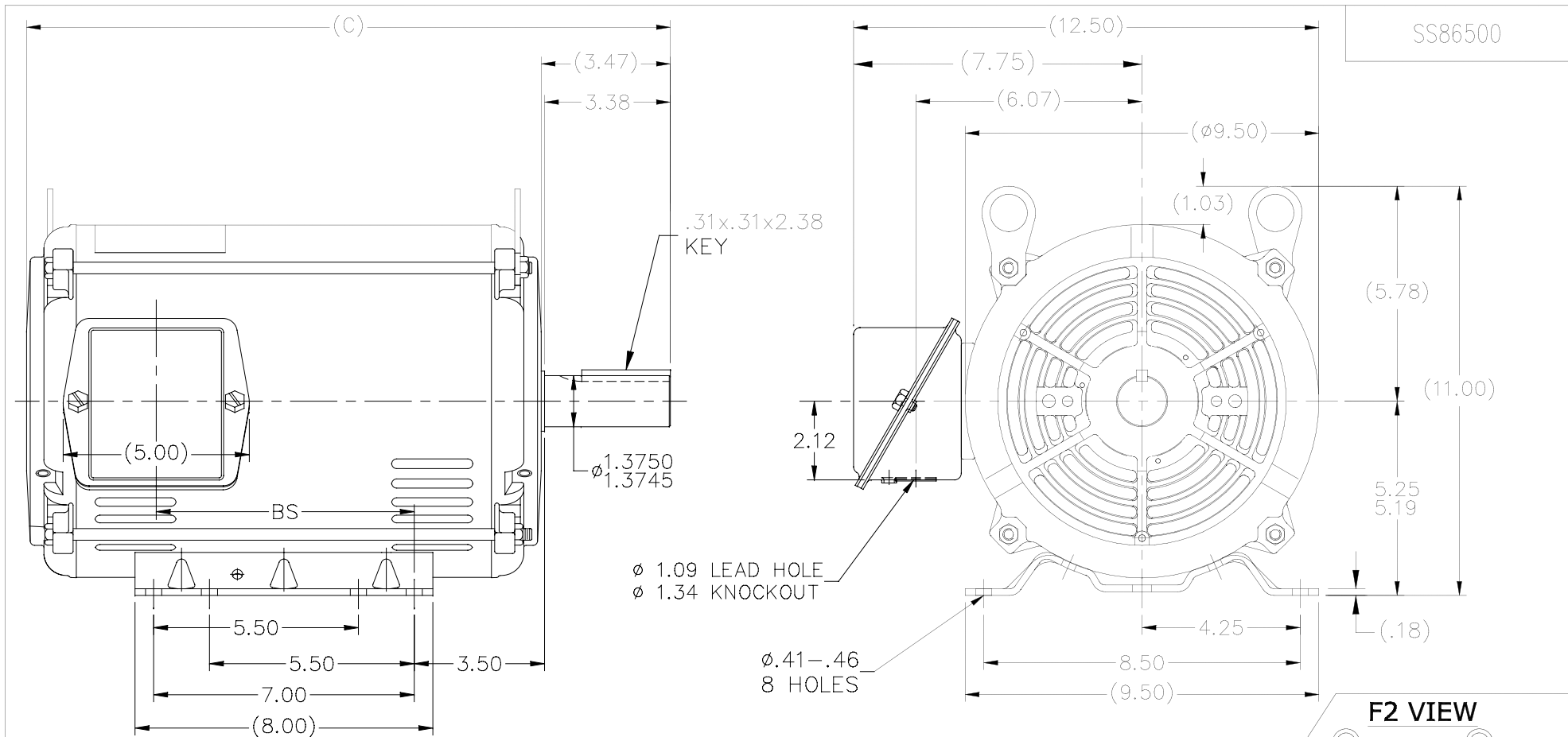
Nameplate Specifications

Output HP	5 Hp	Output KW	3.7 kW
Frequency	60 Hz	Voltage	200 V
Current	16.3 A	Speed	1170 rpm
Service Factor	1.15	Phase	3
Efficiency	87.5 %	Power Factor	73
Duty	Continuous	Insulation Class	B
Design Code	B	KVA Code	H
Frame	215T	Enclosure	Drip Proof
Thermal Protection	No	Ambient Temperature	40 °C
Drive End Bearing Size	6307	Opp Drive End Bearing Size	6206
UL	Recognized	CSA	Y
CE	Y	IP Code	22

Technical Specifications


Electrical Type	Squirrel Cage Induction Run	Starting Method	Across The Line
Poles	6	Rotation	Reversible
Resistance Main	1.96 Ohms	Mounting	Rigid Base
Motor Orientation	Horizontal	Drive End Bearing	Ball
Opp Drive End Bearing	Ball	Frame Material	Rolled Steel
Shaft Type	T	Overall Length	18.55 in
Frame Length	12.40 in	Shaft Diameter	1.375 in
Shaft Extension	3.47 in	Assembly/Box Mounting	F1 Only

This is an uncontrolled document once printed or downloaded and is subject to change without notice. Date Created:01/11/2019



- NOTES:
1. NAMEPLATE TO BE READ FROM C'BOX SIDE OF MOTOR.
 2. BOX CAN BE MOUNTED IN 90° STEPS.
 3. BOX CAN BE MOUNTED ON OPPOSITE SIDE BY REMOVING BRACKETS AND TURNING FRAME 180°. (EXCEPT AS NOTED.)

DASH	FR.	C	BS	MOUNTING
1115	213/15T	17.30	6.93	F1/F2
1240	213/15T	18.55	8.18	F1 ONLY

14	TITLE BLOCK LOGO CHANGE PER ECO-0078542	MDV 06/09/2015	MDV	TOLERANCES UNLESS SPECIFIED		 Regal Beloit America, Inc.	DRAWN SMC 04-13-1993		
13	FOR FRAME 11.15 MOUNTING NOTE ADDED	UD 12/13/12	SR	DEC.	INCHES		CHK MOL 04-04-1993		
12	ADDED: F2 VIEW.	KVN 2/10/2009	SVL	.X	±.1	APPD DRN 04-13-1993	SCALE 1=4		
11	UPDATED DRAWING	TJW 04/27/2007		.XX	±.03	TITLE OUTLINE	REF		
10	REM'VD. DASH 965 FROM SERIES CN38252	RWR 07-20-2004	ML	.XXX	±.005	210 FR. - BB - TS - DR. PR.	FMF		
9	REDRAWN IN AUTOCAD	TAT 06-29-2004	ML	.XXXX	±.0005	MAT'L.	PREV		
NO.	REVISION	BY & DATE	CHK	ANG	±7'30"	FINISH			
THIS DRAWING IN DESIGN AND DETAIL IS OUR PROPERTY AND MUST NOT BE USED EXCEPT IN CONNECTION WITH OUR WORK ALL RIGHTS OF DESIGN AND INVENTION ARE RESERVED THIS IS AN ELECTRONICALLY GENERATED DOCUMENT - DO NOT SCALE THIS PRINT			RFP	CAD FILE ss86500		SIZE A	DRAWING NO. SS86500	PAGE 1 OF 1	REV. 14
			DIST LB						

**THREE PHASE - SINGLE VOLTAGE
MOTOR - CONDUIT BOX @ 'A'**

**TO REVERSE ROTATION:
INTERCHANGE ANY TWO
LINE LEAD CONNECTIONS.**

TERMINAL BLOCK WHEN SPECIFIED



VIEW OF TERMINAL END

**IF MOTOR HAS
6 LEADS**



A-9806 DECAL

**OPTIONAL CORD
CONNECTION**



DRAWING REVISION AB	REVISION BY JJB	DATE 06-27-2017
ECO ECO-0125361	APPROVED BY TB	DATE 06-27-2017
ECO DESCRIPTION UPDATED TO CURRENT STANDARDS		
<small>COPYRIGHT REGAL BELOIT AMERICA, INC. ALL RIGHTS RESERVED. PROPRIETARY AND CONFIDENTIAL INFORMATION - THIS DOCUMENT IS THE PROPERTY OF REGAL BELOIT AMERICA, INC. ("OWNER") AND CONTAINS OWNER'S PROPRIETARY INFORMATION. ANY PERSON, CORPORATION OR OTHER FIRM RECEIVING IT IS DEEMED, BY RECEIVING IT, TO AGREE THAT IT, AND/OR ANY PART OF IT, SHALL NOT BE DISCLOSED TO ANY PERSON, CORPORATION OR OTHER ENTITY, DUPLICATED, AND/OR USED, EXCEPT AS EXPRESSLY APPROVED IN WRITING IN ADVANCE BY OWNER. THIS DOCUMENT SHALL BE RETURNED TO OWNER UPON REQUEST. IT MAY BE SUBJECT TO CERTAIN RESTRICTIONS UNDER APPLICABLE EXPORT CONTROL LAWS AND REGULATIONS.</small>		



DRAWN BY DA
DATE 03-26-1993
APPROVED BY TB
DATE 03-26-1993
REFERENCE
THIRD ANGLE PROJECTION

Regal Beloit America, Inc.	
DESCRIPTION CONNECTION DIAGRAM EXTERNAL - SINGLE VOLTAGE - 3Ø MOTOR	
MATERIAL	PROCESS/FINISH
SIZE A	DRAWING NUMBER EE7300
SHEET 1 OF 1	